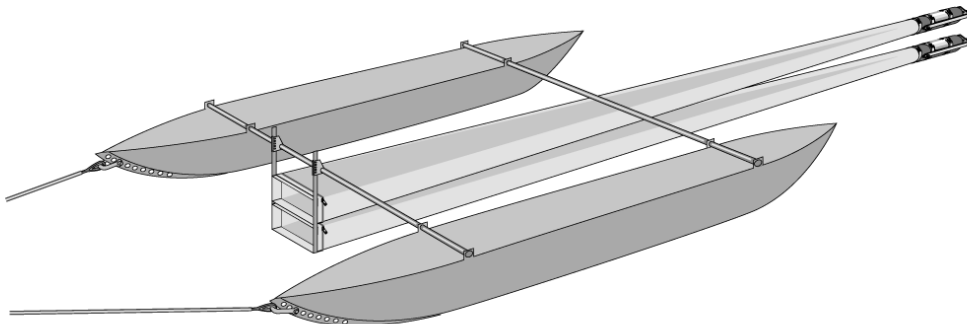


Neuston Net acc. to David/Hempel Model 300 Catalogue No. 438 210

Operation Instruction

1. Catamaran Swimmer body of aluminium, length of the body 300 cm with adjustable holding rack for the net parts.
2. Bridle for selectable use from port side, starboard or stern.
3. Double Net Frame for surface and sub-surface net with Nylon webbings and zip fasteners.
4. Surface Net Bag with zip fastener, opening 30 x 15 cm, end of the net 11 cm, length 400 cm, net material MOnyl®.
5. Sub-surface Net Bag with zip fastener, opening 30 x 15 cm, end of the net 11 cm, length 400 cm, net material MOnyl®.
6. Two Plastic Net Buckets, consisting of:
 - a) Fixing Ring with overcentre fasteners for attaching to the end of a net.
 - b) PVC-Net Bucket with side window, covered with sieve gauze



When the Neuston Net shall be dragged on the starboard side of the ship, the link of the chain (of the bridle) has to be fixed on the starboard side of the Catamaran Swimmer body. In order to avoid collisions of the Neuston Net with the ship, the bridle is mounted unsymmetrically by shackling in a link of the chain. Thus the Swimmer body runs free from the ship's side.

When the Neuston Net shall be dragged on the port side of the ship, the link of the chain (of the bridle) has to be fixed on the port side of the Catamaran Swimmer body. In order to avoid collisions of the Neuston Net with the ship, the bridle is mounted unsymmetrically by shackling in a link of the chain. Thus the Swimmer body runs free from the ship's side.

When operating the Neuston Net from the stern of the ship, the shackles have to be mounted symmetrically.